

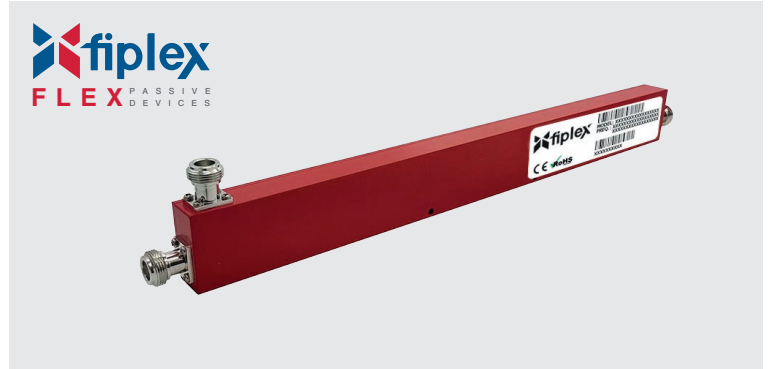
HIGH POWER DIRECTIONAL COUPLER

136 - 870 MHz

DC-L2x

Product Applications

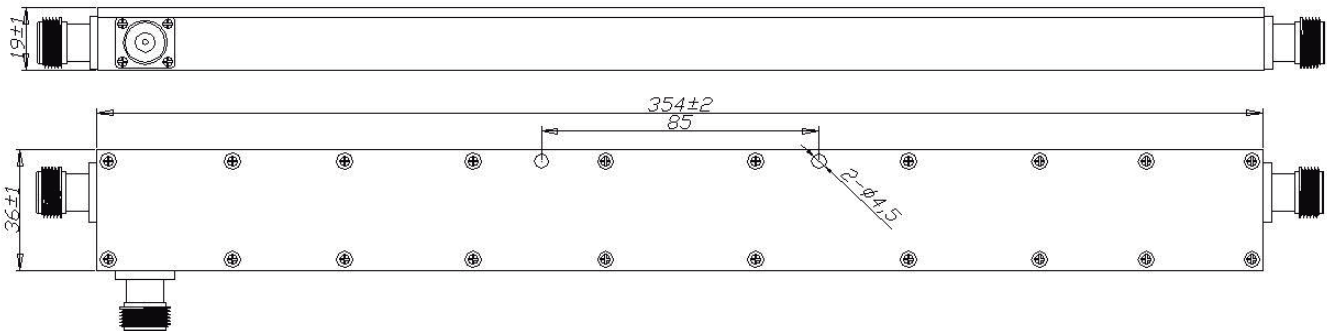
- Guaranteed PIM Compliance
- Wide Frequency Band Covering 136-870MHz
- Low Insertion Loss
- Low VSWR
- Indoor Using
- Available with Type N, 7/16DIN or 4.3/10 male Connectors



Specification

Value

	DC-L2A	DC-L2B	DC-L2C	DC-L2D	DC-L2E	DC-L2F
Product Number	DC-L2A	DC-L2B	DC-L2C	DC-L2D	DC-L2E	DC-L2F
Coupling(dB)	6	8	10	15	20	30
Accuracy(dB)	±1.5	±1.8	±2.0	±2.0	±2.0	±2.5
Insertion Loss(dB)	≤1.75	≤1.35	≤0.90	≤0.70	≤0.50	≤0.30
Isolation	≥21	≥23	≥25	≥28	≥30	≥43
Freq	136-870 MHz					
VSWR	≤1.30					
Power Rating	200W (average Per Port) - 1000W (peak)					
Impedance	50 ohm					
Connector	N-female					
Color	Red-plated					
Operating Temperature	-25°C to +75°C					
Weight	1.05 kg					
MTBF	>1,000,000 hours					



DOC 5C139.02 - 10202020 - DMC
 Fiplex is a registered trademark of Fiplex Communications, Inc.
 Fiplex Communications, Inc. reserves the right to change specifications without prior notice.